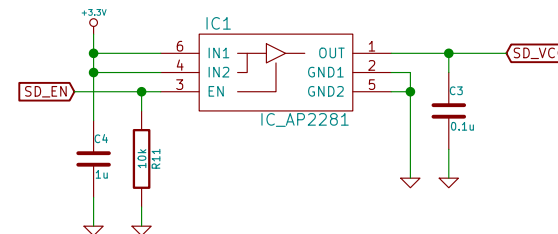
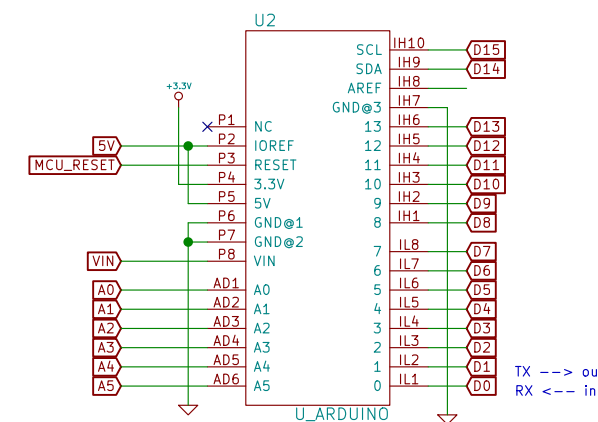


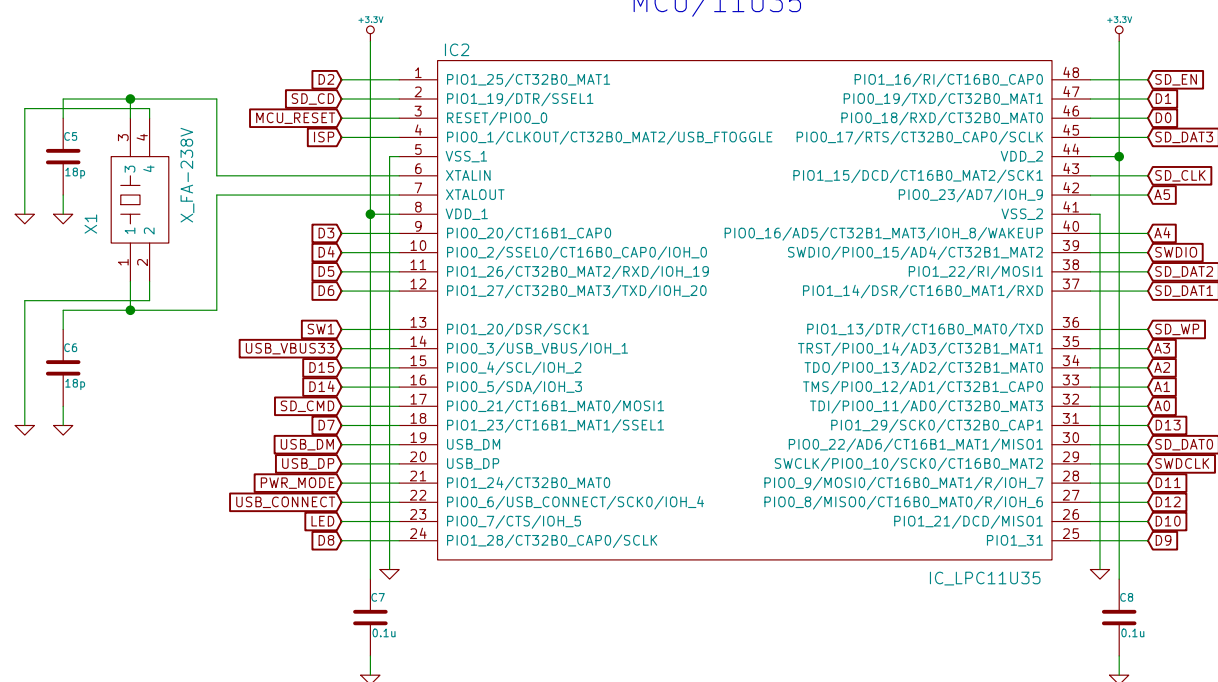
SDcard_POWER



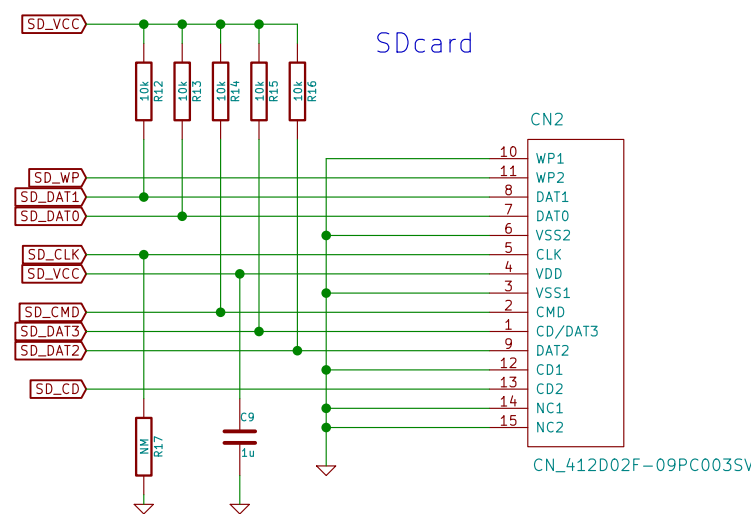
Arduino connector



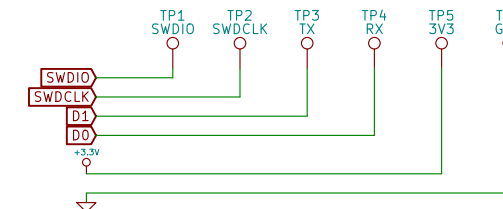
MCU/11U35



SDcard



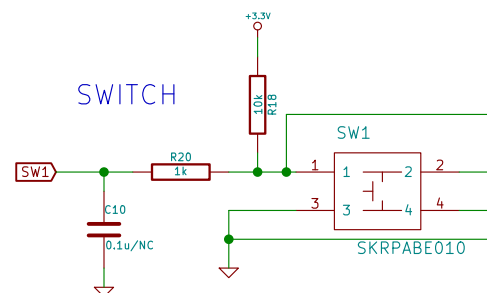
Test Pad



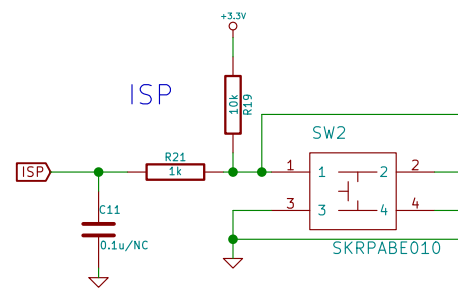
LED



SWITCH



ISP



Airio Base (Arduino style board for FlashAir)