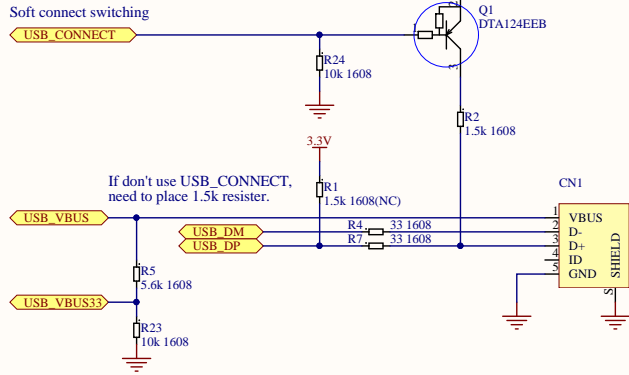
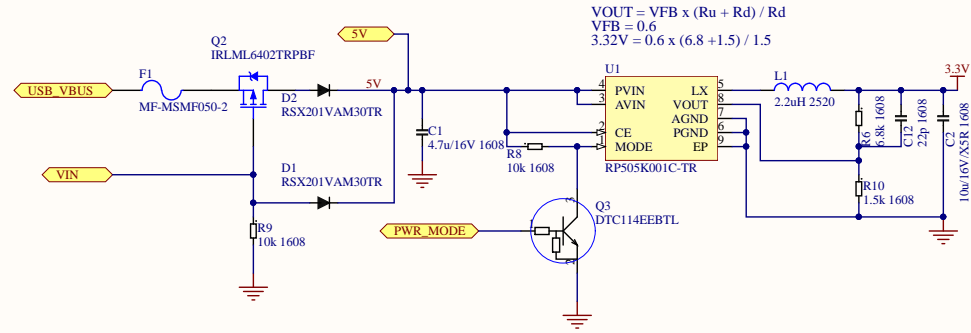


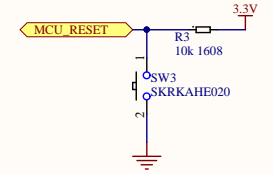
USB block



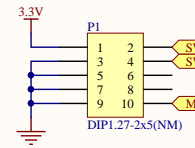
POWER block



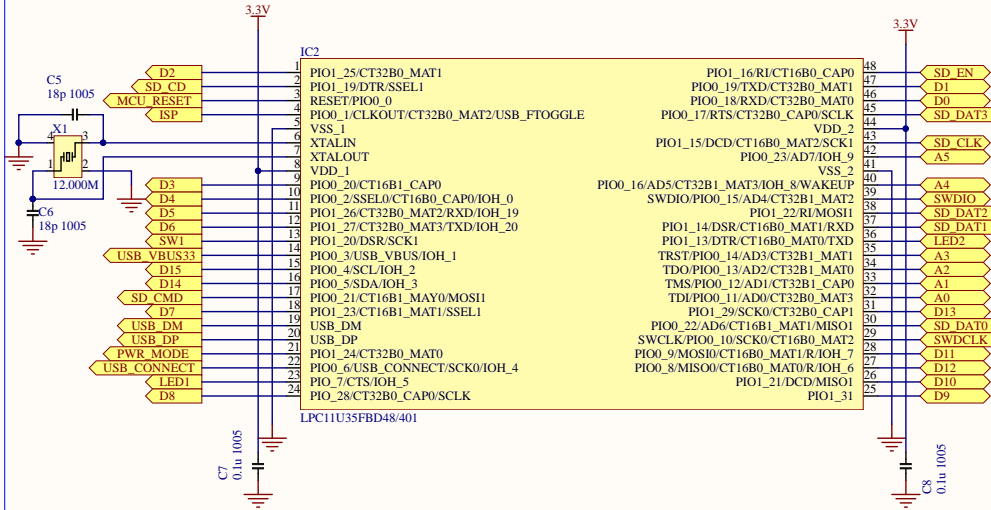
RESET block



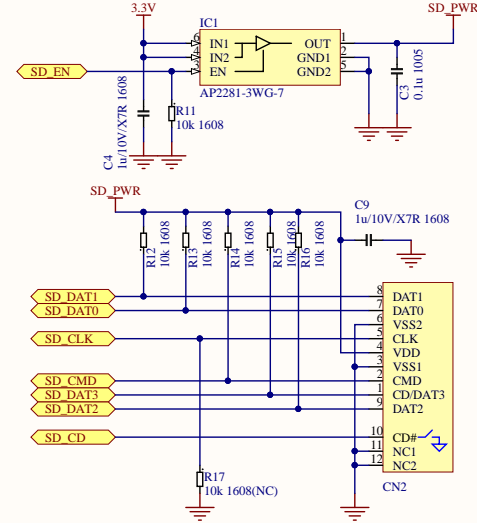
SWD block



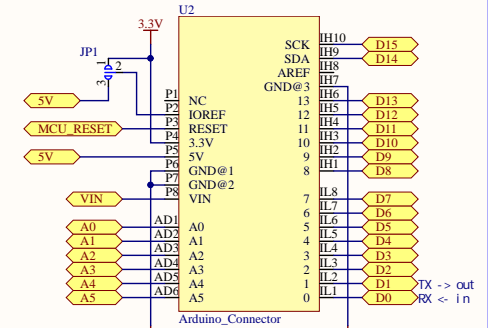
MCU block



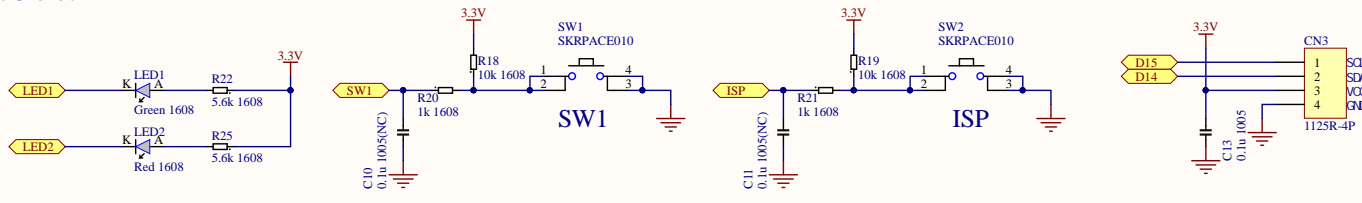
SDC block



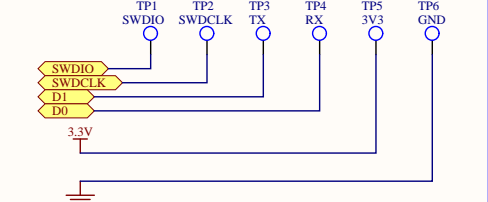
ARDUINO connector block



I/O block



TEST Pad block



Title			Airio-Base - production model		
Size	Number				Revision
A3					
Date:	2018/08/02	Sheet of			
File:	E:\Google Drive\Airio-Base_sch.Sch	Drawn By:			