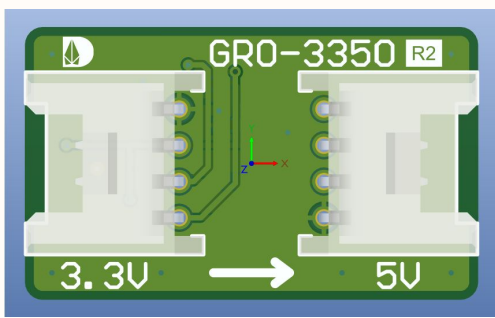
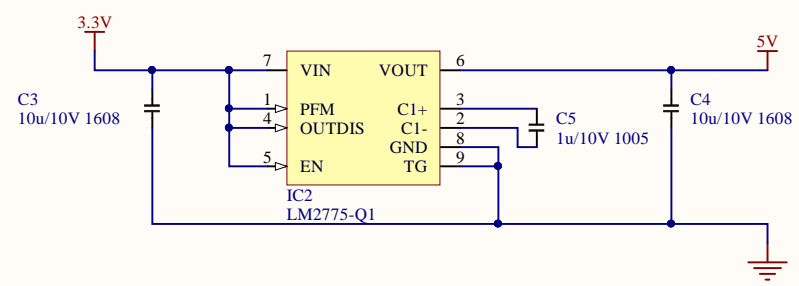
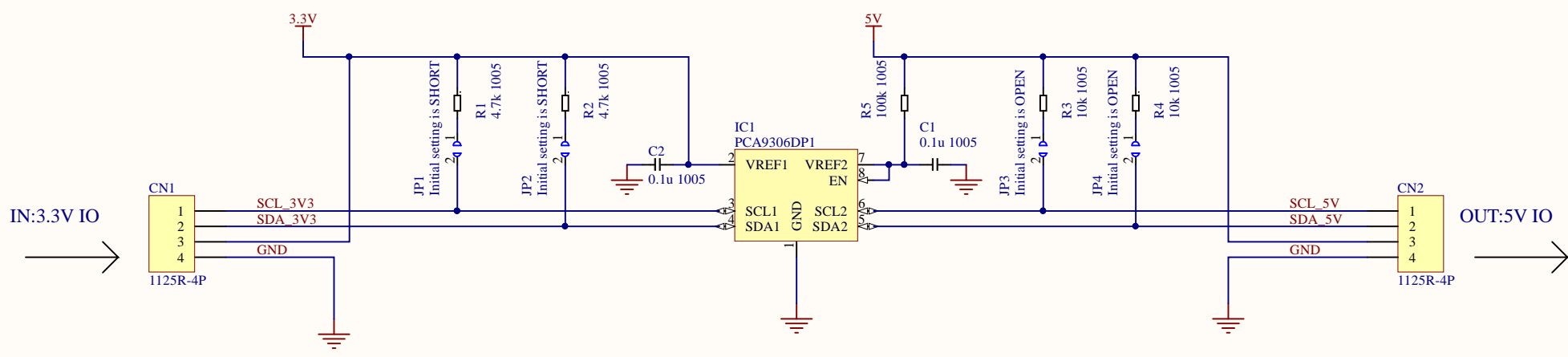


Host MCU side



Target device side



Title		
VOL-17 GRO-3350 for I2C IO level converter		
Size	Number	Revision
A4		Rev.2
Date:	2020/05/04	Sheet of
File:	E:\Google ドライブ\GRO-3350_sch.Sch Drawn By:	