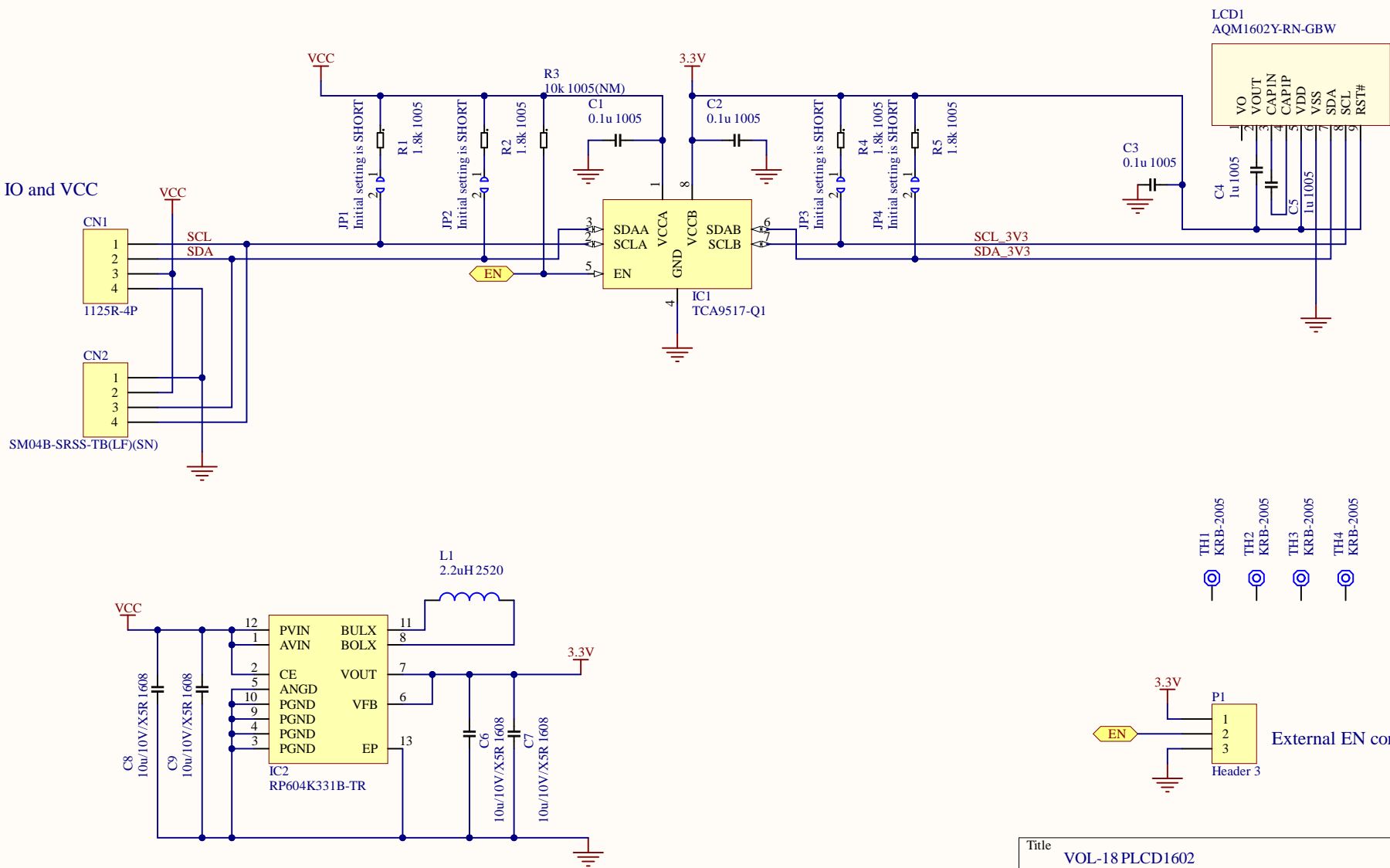


IN:1.8-5V IO and VCC



Title VOL-18 PLCD1602		
Size A4	Number	Revision
Date: 2/20/2021	Sheet of	
File: E:\Google ドライブ\...\PLCD1602_sch.Sch	Drawn By:	