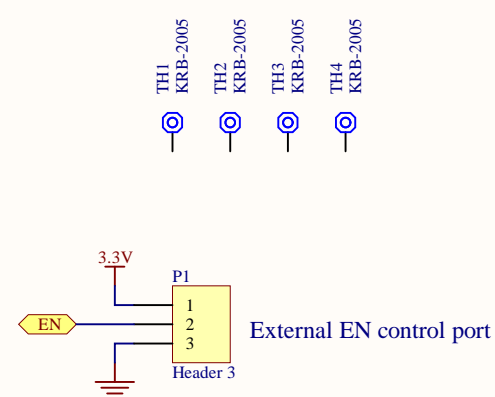
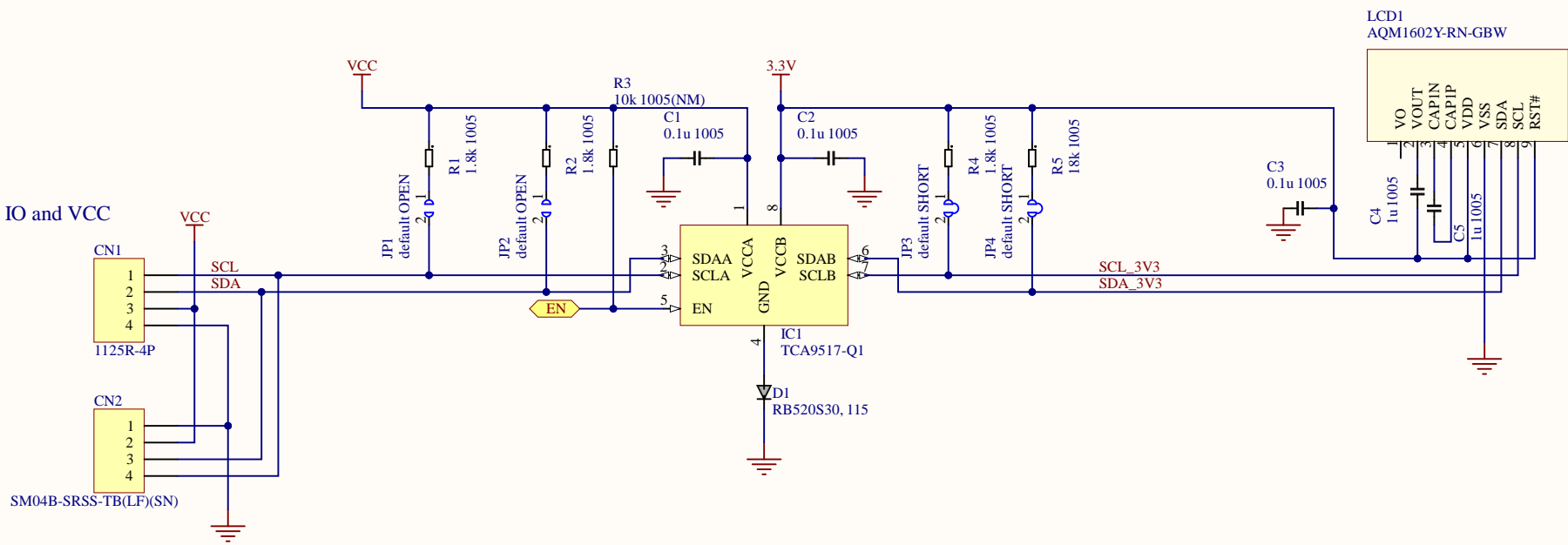


IN:1.8~5V IO and VCC



Title		
VOL-18 PLCD1602 Rev1.1		
Size	Number	Revision
A4		
Date:	7/07/2021	Sheet of
File:	E:\Google ドライブ\...PLCD1602_R11_sch	By: